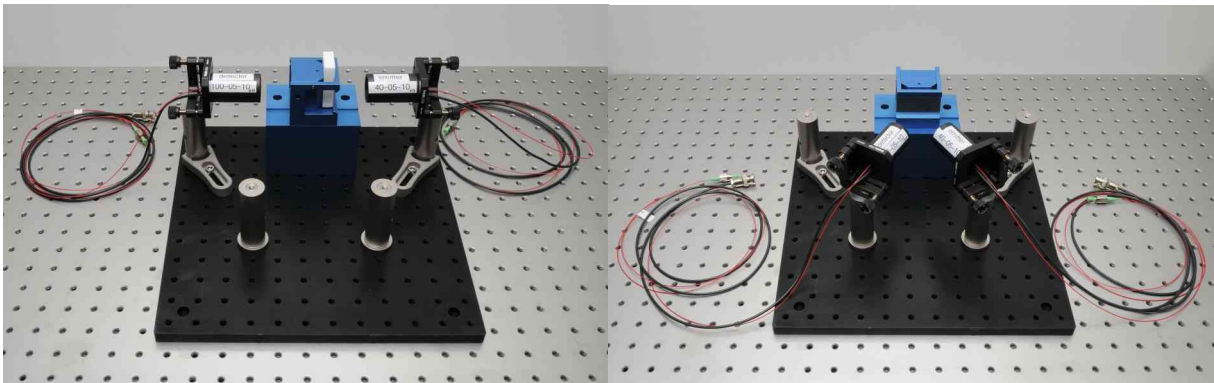


Data sheet SHF

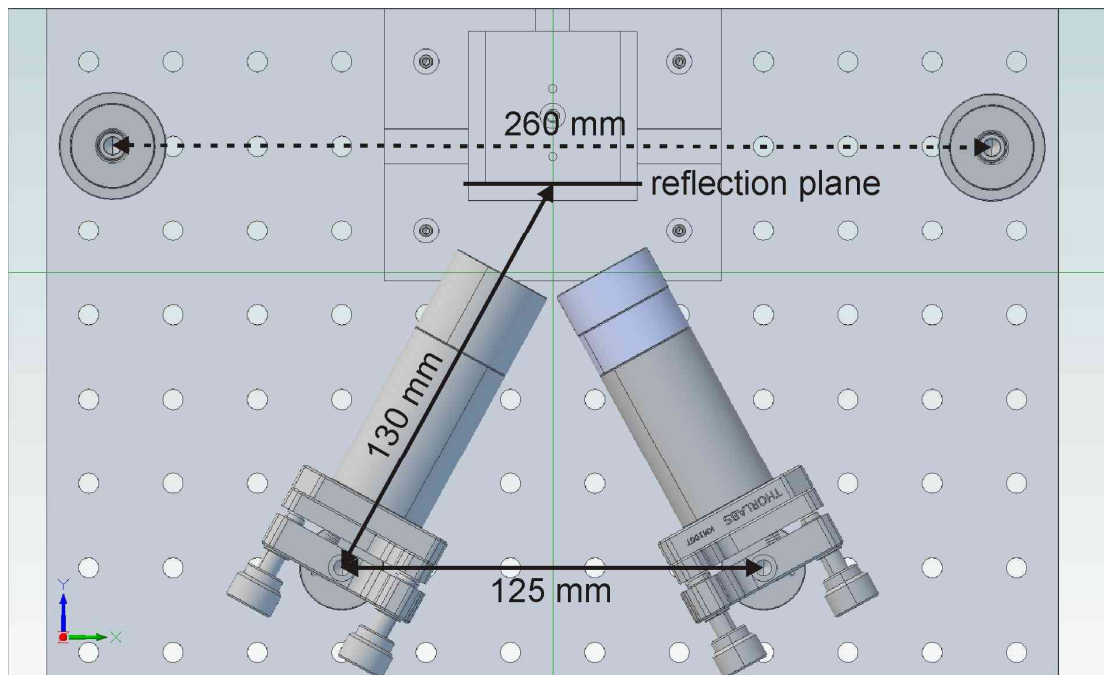
Sample Holder for Fiber coupled antennas reflection and transmission THz measurements

If you purchased the fiber-coupled antennas without any stages you will find a very basic setup where you can mount the antenna packages in transmission or reflection. Additionally, the setup comes with a set of sample holders for large and small samples. Both sample holders can be used for transmission and reflection measurements.

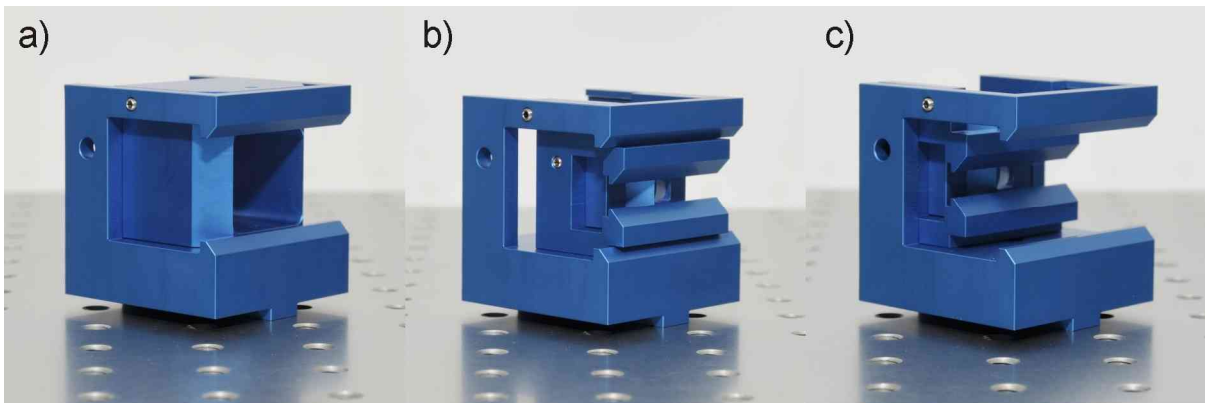


Fiber-coupled THz antennas in a basic transmission or reflection setup.

The position of the posts for transmission and reflection is essentially defined by the focal length of the THz lenses (FTL-f30mm). These positions do not need to be changed. However, if you have also bought an imaging unit and want to change between the two setups please see the following picture in case you need to setup the posts and antennas once again. Please note that the angle of incidence is roughly 30° .

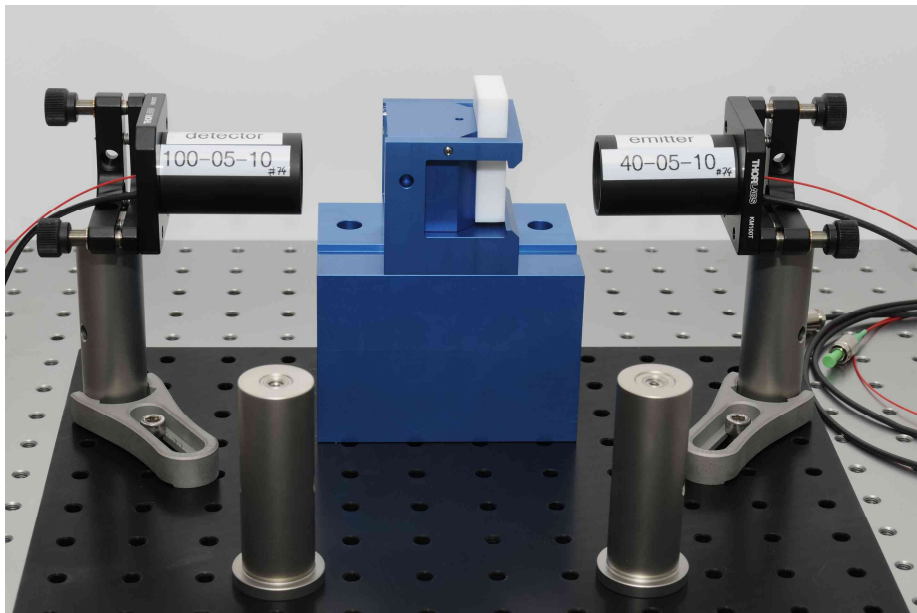


Geometry of simple reflectance setup.



Close up of sample holder for a) collimated beam focused beam in b) reflection and c) transmission.

When changing from transmission to reflection just remove the sample holder from the base structure, turn it by 90° and put it back on.



Transmission setup with fiber coupled antennas

Contact

If you have any further questions or remarks, please do not hesitate to contact us.

BATOP GmbH
Stockholmer Str. 14
D-07747 Jena
Germany

e-mail: info@batop.de

Tel.: +49 3641 634009 0
Fax.: +49 3641 634009 20